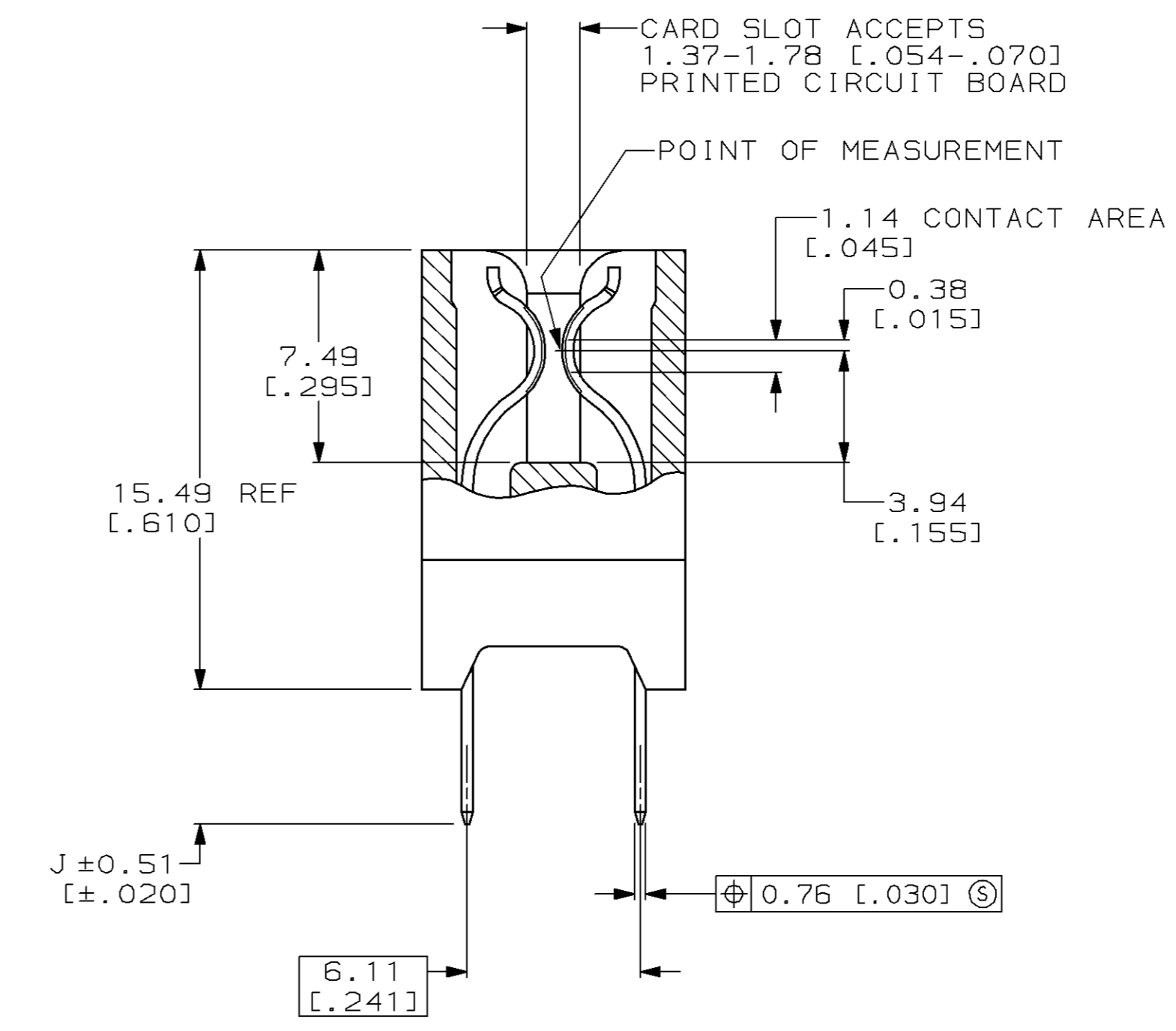
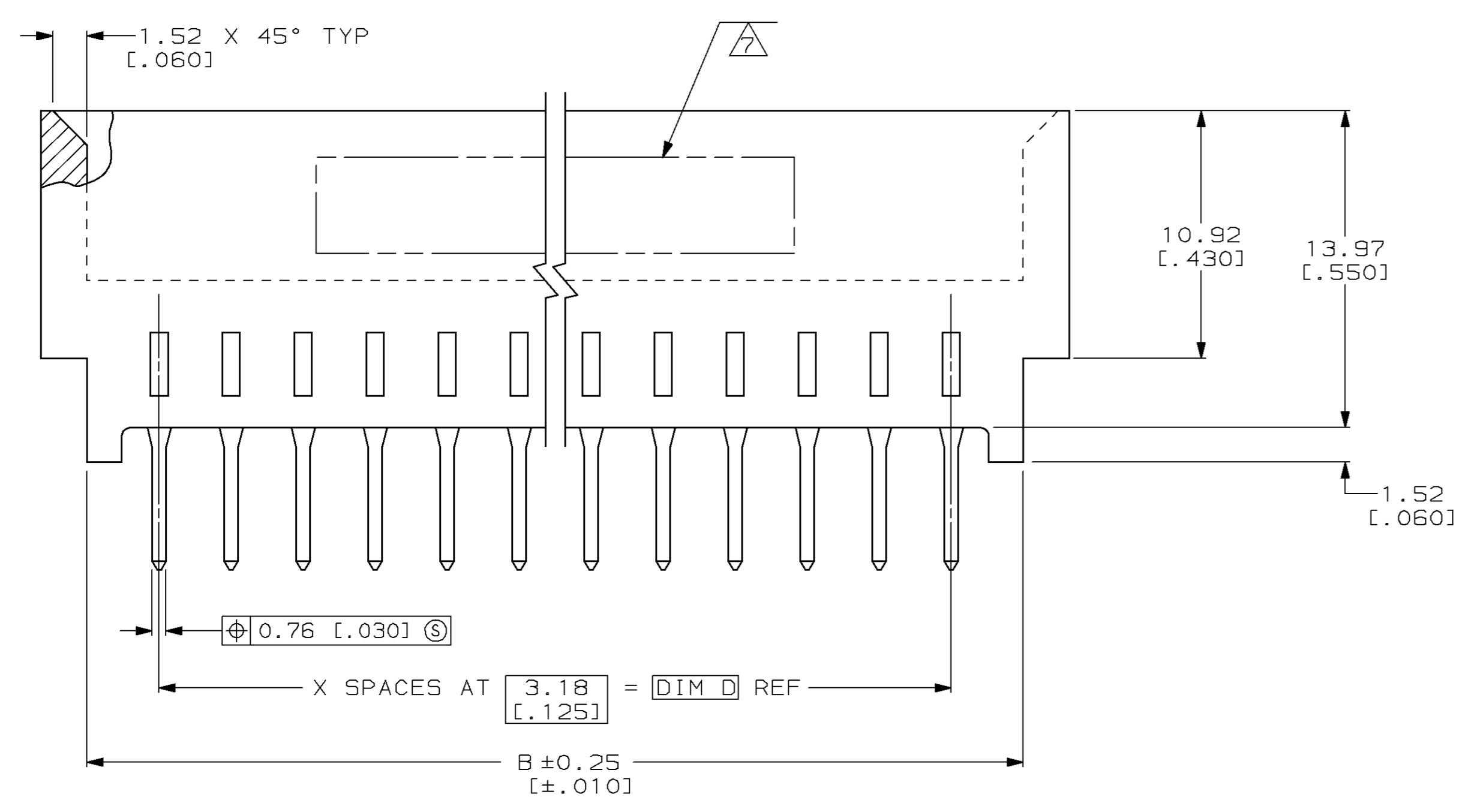
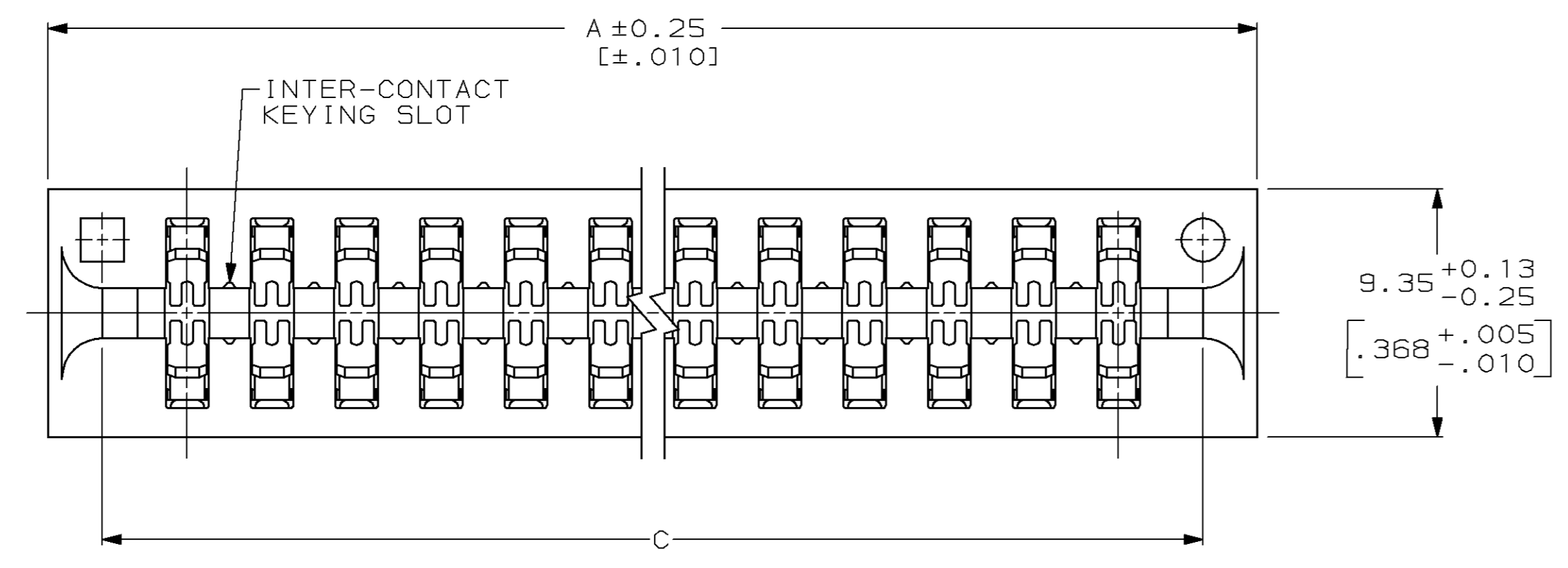
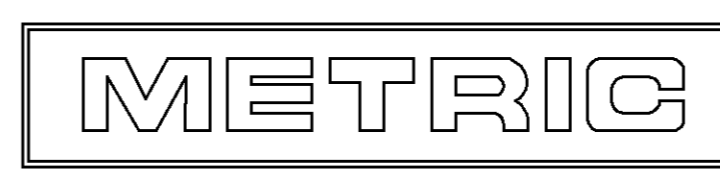


LOC		DIST		P		F		ZONE		LTR		REVISIONS		
AD	14											DESCRIPTION	DATE	APPD
											S	REDRAWN PER AD-6245	8/92	JD
											T	ADDED -59/93-1031-001	2/16/93	JD
											U	REV PER 0010-0656-93	7/29/93	JSD
											V	REV PER 0010-1107-95	10-19-95	DG
											W	REVISED PER 0010-1046-95	1/11/96	RB DG
											Y	REVISED PER 0430-0287-96	8/12/97	RB MP



- 1 HOUSING: GLASS FILLED POLYESTER; COLOR: BLACK.
- 2 CONTACT: PHOSPHOR BRONZE.
- 3 NICKEL UNDERPLATE: 0.00127 [0.000050] MIN - ALL OVER.
- 4 TIN-LEAD PLATE: 0.00254 [0.000100] MIN - SOLDER POSTS.
- 5 GOLD PLATE: 0.00076 [0.000030] MIN - CONTACT AREA.
- 6 NICKEL PLATE PER MIL-G-45204. GOLD PLATE PER QQ-N-290.
- 7 AMP PART NUMBER AND DATE CODE ARE MARKED IN APPROXIMATE AREA SHOWN, EITHER SIDE.
- 8. RECOMMENDED PCB FINISHED HOLE DIA: 1.02±0.08 [0.040±.003].



DO NOT SCALE PRINT. UNLESS SPECIFIED DIMENSIONS IN mm [INCHES] TOLERANCES ON: 2 PLC DEC ± - 3 PLC DEC ± 0.13 (0.005) ANGLES ± -		DR 11/5/91 R. SHIREY/UTA		AMP Incorporated Harrisburg, PA 17105-3608	
MATERIAL HOUSING: 1 CONTACT: 2		CHK 8-10-92 J DIORAZIO			
FINISH CONTACT: 3 4 5 6		APPD 8-10-92 J DIORAZIO		NAME CONNECTOR ASSEMBLY, STANDARD EDGE II, 3.18 [0.125] ⌀	
		APPD 8-10-92 M THUMMA		DRAWING NO 530844	
		PRODUCT SPEC 108-9039		SCALE 5:1 SHEET 1 OF 2	
		APPLICATION SPEC -		CAGE CODE 00779	
		WEIGHT -		DRAWING NO 530844	

	J	D	C	B	A	X	NO OF POSN	PART NUMBER
OBSOLETE	3.18 [.125]	76.20 [3.000]	82.55 [3.250]	82.55 [3.250]	86.61 [3.410]		24	25 5-530844-9
OBSOLETE	4.75 [.187]	41.28 [1.625]	47.62 [1.875]	47.62 [1.875]	51.69 [2.035]		13	14 5-530844-8
OBSOLETE								20 5-530844-7
OBSOLETE								44 5-530844-6
OBSOLETE								44 5-530844-5
OBSOLETE	3.18 [.125]	136.52 [5.375]	142.00 [5.625]	142.00 [5.625]	146.94 [5.785]		43	44 5-530844-4
OBSOLETE								44 5-530844-3
OBSOLETE								60 5-530844-2
OBSOLETE								60 5-530844-1
OBSOLETE								60 5-530844-0
OBSOLETE								60 4-530844-9
OBSOLETE								35 4-530844-8
OBSOLETE								35 4-530844-7
OBSOLETE								50 4-530844-6
OBSOLETE								43 4-530844-5
OBSOLETE								40 4-530844-4
OBSOLETE	4.75 [.187]	111.12 [4.375]	117.48 [4.625]	117.48 [4.625]	121.54 [4.785]		35	36 4-530844-3
OBSOLETE								30 4-530844-2
OBSOLETE								28 4-530844-1

OBSOLETE								22	4-530844-0
OBSOLETE								18	3-530844-9
OBSOLETE								15	3-530844-8
OBSOLETE								10	3-530844-7
OBSOLETE								6	3-530844-6
OBSOLETE								50	3-530844-5
OBSOLETE								43	3-530844-4
OBSOLETE								40	3-530844-3
OBSOLETE								36	3-530844-2
OBSOLETE								30	3-530844-1
OBSOLETE								28	3-530844-0
OBSOLETE								22	2-530844-9
OBSOLETE								18	2-530844-8
OBSOLETE								15	2-530844-7
OBSOLETE								10	2-530844-6
OBSOLETE								6	2-530844-5
OBSOLETE								35	2-530844-4
OBSOLETE								35	2-530844-3
OBSOLETE	4.75 [.187]	155.98 [6.125]	161.92 [6.375]	161.92 [6.375]	165.99 [6.535]		49	50	2-530844-2
OBSOLETE	4.75 [.187]	133.35 [5.250]	139.70 [5.500]	139.70 [5.500]	143.76 [5.660]		42	43	2-530844-1
OBSOLETE	4.75 [.187]	123.82 [4.875]	130.18 [5.125]	130.18 [5.125]	134.24 [5.285]		39	40	2-530844-0
OBSOLETE	4.75 [.187]	111.12 [4.375]	117.48 [4.625]	117.48 [4.625]	121.54 [4.785]		35	36	1-530844-9
OBSOLETE	4.75 [.187]	92.08 [3.625]	98.42 [3.875]	98.42 [3.875]	102.49 [4.035]		29	30	1-530844-8
OBSOLETE	4.75 [.187]	85.72 [3.375]	92.08 [3.625]	92.08 [3.625]	96.14 [3.785]		27	28	1-530844-7
OBSOLETE	4.75 [.187]	66.68 [2.625]	73.02 [2.875]	73.02 [2.875]	77.09 [3.035]		21	22	1-530844-6
OBSOLETE	4.75 [.187]	53.98 [2.125]	60.32 [2.375]	60.32 [2.375]	64.39 [2.535]		17	18	1-530844-5
OBSOLETE								15	1-530844-4
OBSOLETE	4.75 [.187]	28.58 [1.125]	34.92 [1.375]	34.92 [1.375]	38.99 [1.535]		9	10	1-530844-3
OBSOLETE	4.75 [.187]	15.88 [.625]	22.22 [.875]	22.22 [.875]	26.29 [1.035]		5	6	1-530844-2
OBSOLETE	3.18 [.125]	155.98 [6.125]	161.92 [6.375]	161.92 [6.375]	165.99 [6.535]		49	50	1-530844-1
OBSOLETE	3.18 [.125]	133.35 [5.250]	139.70 [5.500]	139.70 [5.500]	143.76 [5.660]		42	43	1-530844-0
OBSOLETE								40	530844-9
OBSOLETE								36	530844-8
OBSOLETE								30	530844-7
OBSOLETE								28	530844-6
OBSOLETE	3.18 [.125]	66.68 [2.625]	73.02 [2.875]	73.02 [2.875]	77.09 [3.035]		21	22	530844-5
OBSOLETE								18	530844-4
OBSOLETE								15	530844-3
OBSOLETE	3.18 [.125]	28.58 [1.125]	34.92 [1.375]	34.92 [1.375]	38.99 [1.535]		9	10	530844-2
OBSOLETE	3.18 [.125]	15.88 [.625]	22.22 [.875]	22.22 [.875]	26.29 [1.035]		5	6	530844-1

J	D	C	B	A	X	NO OF POSN	PART NUMBER
---	---	---	---	---	---	------------	-------------

J	D	C	B	A	X	NO OF POSN	PART NUMBER
---	---	---	---	---	---	------------	-------------

DO NOT SCALE PRINT. UNLESS SPECIFIED DIMENSIONS IN mm [INCHES] TOLERANCES ON: 2 PLC DEC ± - 3 PLC DEC ± 0.13 [.005] ANGLES ± -	DR 11/5/91 R. SHIREY/UTA CHK 8/10/92 J DIORAZIO APPD 8/10/92 J DIORAZIO M THUMMA PRODUCT SPEC 108-9039	AMP AMP Incorporated Harrisburg, PA 17105-3608
MATERIAL HOUSING: CONTACT:	APPLICATION SPEC -	NAME CONNECTOR ASSEMBLY, STANDARD EDGE II, 3.18 [.125] ⌀
FINISH CONTACT: 	WEIGHT -	SIZE D CAGE CODE 00779 DRAWING NO 530844 SCALE 5:1 SHEET 2 OF 2

